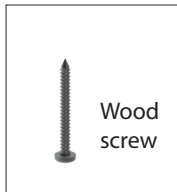


Universal Ceiling Track™ - UTS Series

For installation onto **WOOD BEAM**

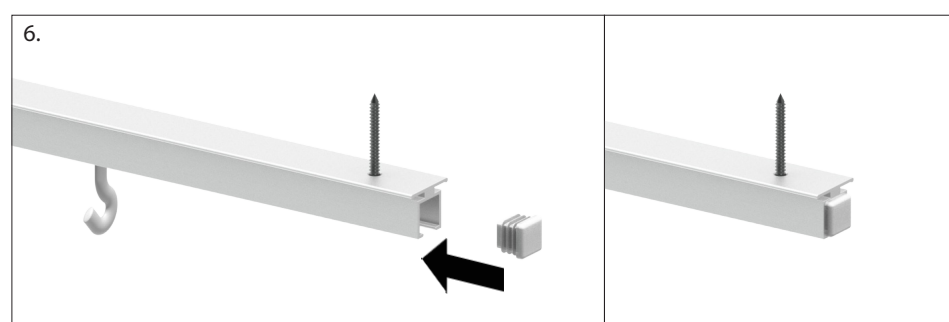
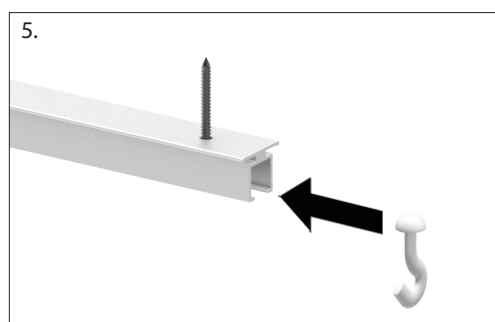
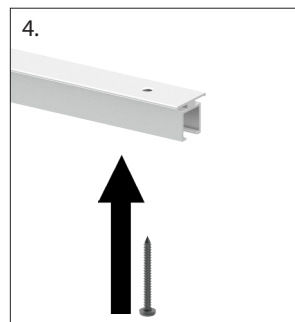
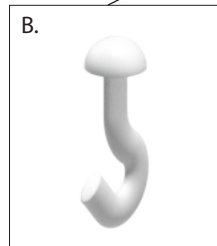
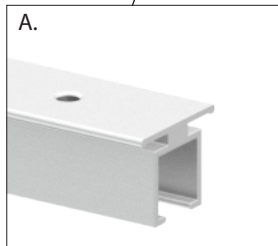
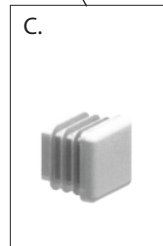
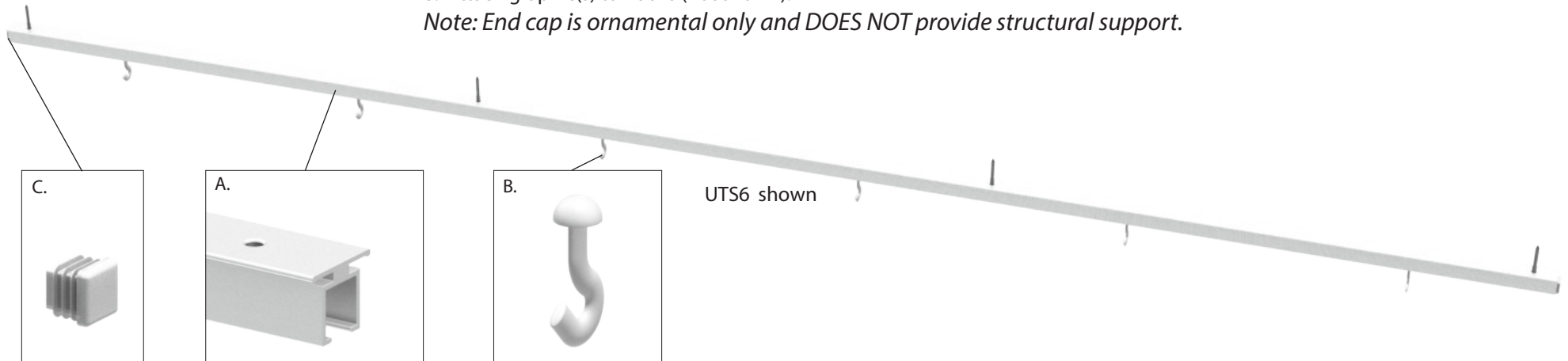
PROFESSIONAL INSTALLATION is recommended

1. Hold the track (item A) in the desired location for mounting on the wood beam.
2. With a pencil, mark the locations of **ALL** holes along the track, onto the wood beam.
3. Create pilot holes on the wood using a #48 or 1/16" drill.
4. Mount the track (item A) to the wood beam using the provided wood screws. Use ALL holes in track for mounting. Number of holes vary per track length. Proceed to step 5 below.



5. Slide the hooks (item B) into the channel of the track.
6. Place caps (item C) onto ends of track.
7. Repeat steps 1 through 6 for additional tracks. If installing parallel tracks, ensure spacing is consistent and allows cross tracks to attach (if included).
8. Attach graphic(s) to hooks (not shown).

Note: End cap is ornamental only and DOES NOT provide structural support.



For installation onto **PLASTERBOARD/DRYWALL**

PROFESSIONAL INSTALLATION is recommended

1. Hold the track (item A) in the desired location for mounting along the plasterboard/drywall.
2. With a pencil, mark the locations of **ALL** holes along the track, onto the plasterboard/drywall.
3. Create clearance holes through plasterboard/drywall using 3/8" drill bit.
4. Mount the track (item A) through the plasterboard/drywall using the provided toggle bolts. Use ALL holes in track for mounting. Number of holes vary per track length. Proceed to step 5 below.

